

FRAMES & TABLES

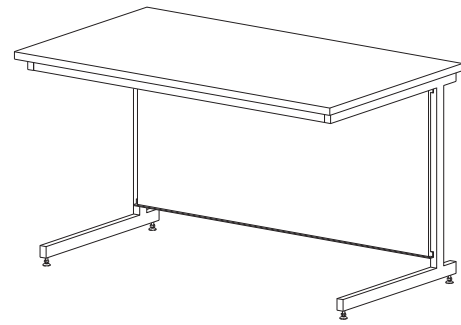
C-Frame

- Modular design available in 600, 900, 1200, 1500 and 1800mm widths.
- 890mm Standing Height, 730mm Sitting Height
- 750mm Depth
- Frame includes legs, back panel, front and back rails.

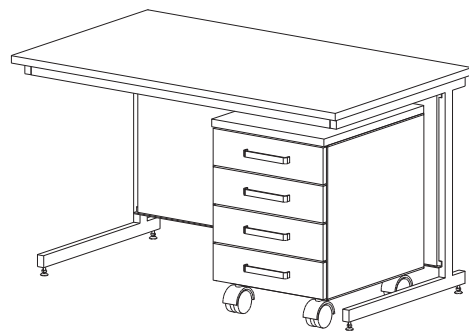
Part# (Standing HT)	Part# (Sitting HT)	Width (mm)
CF10060	CF20060	600
CF10090	CF20090	900
CF10120	CF20120	1200
CF10150	CF20150	1500
CF10180	CF20180	1800

Refer to Mobile and Hanging Cabinets section of catalogue for adding cabinets to C-frame.

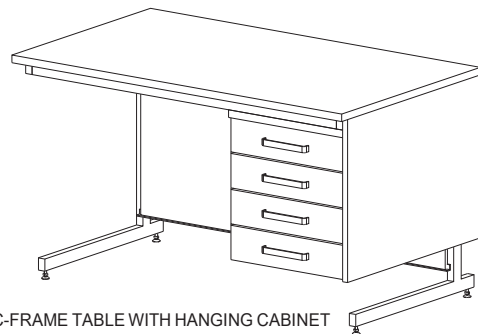
Refer to Worksurface section of catalogue for adding worktop.



C-FRAME TABLE



C-FRAME TABLE WITH MOBILE CABINET



C-FRAME TABLE WITH HANGING CABINET



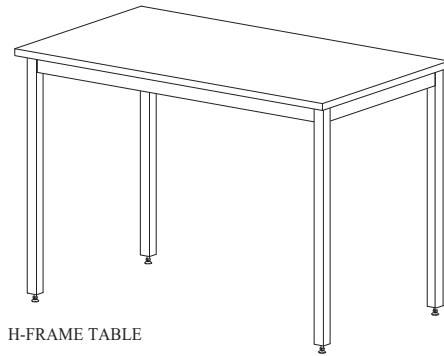
H-Frame

- Modular design available in 600, 900, 1200, 1500 and 1800mm widths.
- 890mm Standing Height, 730mm Sitting Height
- 750mm Depth
- Frames includes legs, back panel, front and back rail

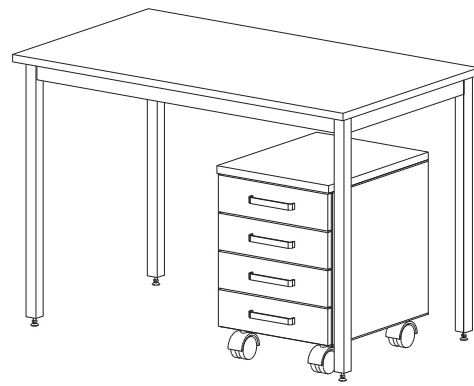
Part# (Standing HT)	Part# (Sitting HT)	Width (mm)
HF10060	HF20060	600
HF10090	HF20090	900
HF10120	HF20120	1200
HF10150	HF20150	1500
HF10180	HF20180	1800

Refer to Mobile and Hanging Cabinets section of catalogue for adding cabinets to H-frame.

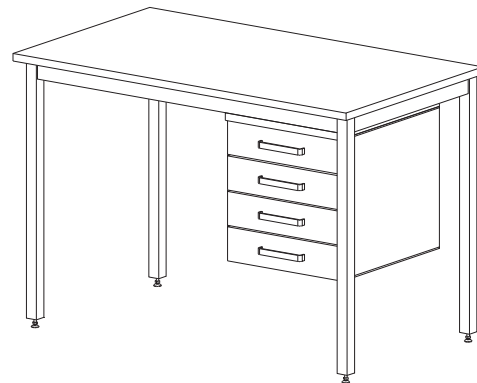
Refer to Worksurface section of catalogue for adding worktop.



H-FRAME TABLE



H-FRAME TABLE WITH MOBILE CABINET



H-FRAME TABLE WITH HANGING CABINET

C-Frame - Heavy Duty

- Powder coated steel, heavy duty tubular construction
- 882mm Standing Height, 730mm Sitting Height
- 750mm Single sided Depth, 1500mm Double sided Depth

- Fully welded legs with levelling feet
- Worktop not included

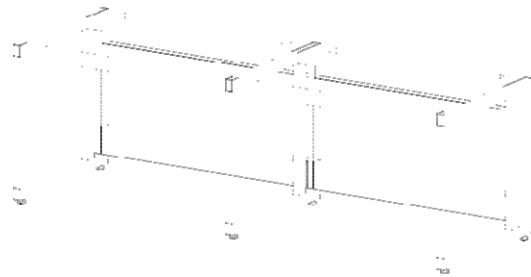
		Part#	Part#
		(Standing HT)	(Sitting HT)
Leg Single Sided	<i>Left Leg</i>	CHD101L	CHD201L
	<i>Right Leg</i>	CHD101R	CHD201R
	<i>Middle Leg</i>	CHD101M	CHD201M
	<i>Service Leg</i>	CHD101S	CHD201S

		Part#	Part#
		(Standing HT)	(Sitting HT)
Leg Double Sided	<i>Left Leg</i>	CHD102L	CHD202L
	<i>Right Leg</i>	CHD102R	CHD202R
	<i>Middle Leg</i>	CHD102M	CHD202M

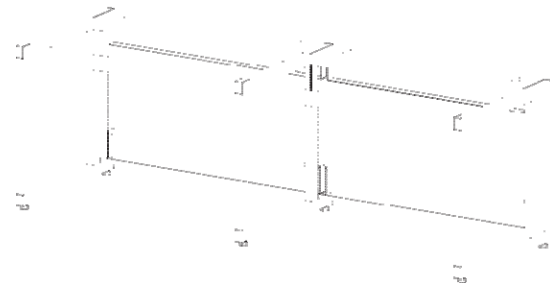
	Part#	Part#	Width
	(Single S)	(Double S)	(mm)
Stretchers	CSS1060	CSS2060	600
	CSS1075	CSS2075	750
	CSS1090	CSS2090	900
	CSS1100	CSS2100	1000
	CSS1120	CSS2120	1200
	CSS1150	CSS2150	1500
	CSS1180	CSS2180	1800

	Part#	Part#	Width
	(Standing HT)	(Sitting HT)	(mm)
Modesty Panel	CMP1060	CMP2060	600
	CMP1075	CMP2075	750
	CMP1090	CMP2090	900
	CMP1100	CMP2100	1000
	CMP1120	CMP2120	1200
	CMP1150	CMP2150	1500
	CMP1180	CMP2180	1800

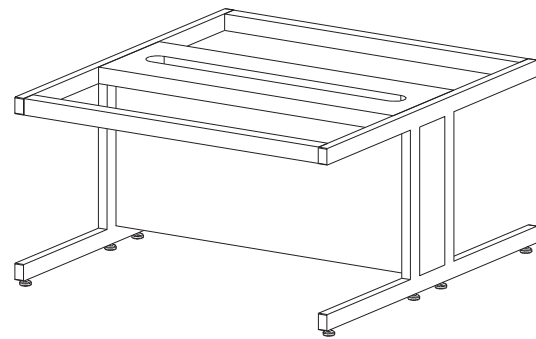
	Part#	Part#	Width
	(Standing HT)	(Sitting HT)	(mm)
Back Panel	CBP1060	CBP2060	600
	CBP1075	CBP2075	750
	CBP1090	CBP2090	900
	CBP1100	CBP2100	1000
	CBP1120	CBP2120	1200
	CBP1150	CBP2150	1500
	CBP1180	CBP2180	1800



HEAVY DUTY C-FRAME WITH LEFT, MIDDLE AND RIGHT LEG



HEAVY DUTY C-FRAME WITH LEFT, SERVICE AND RIGHT LEG



HEAVY DUTY DOUBLE SIDED C-FRAME WITH MODESTY PANEL

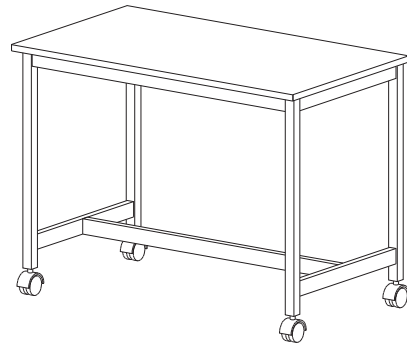
Refer to Mobile and Hanging Cabinets section of catalogue for adding cabinets to C-frame.

Refer to Worksurface section of catalogue for adding worktop.

Mobile Table / Trolley

- Modular design available in 600, 900, 1200, 1500 and 1800mm widths.
- 890mm Standing Height, 730mm Sitting Height
- 750mm Depth
- Optional shelves, electrical trunking.
- Frame includes legs with lockable castors, front and back rail
- Worktop not included

Part# (Standing HT)	Part# (Sitting HT)	Width (mm)
MTA1060	MTA2060	600
MTA1090	MTA2090	900
MTA1120	MTA2120	1200
MTA1150	MTA2150	1500
MTA1180	MTA2180	1800



MTA1120 WITH WORKTOP

Refer to Mobile and Hanging Cabinets section of catalogue for adding cabinets to Mobile Tables.

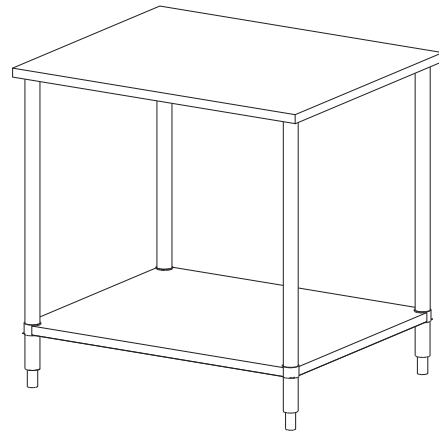
Refer to Worksurface section of catalogue for adding worktop.



Stainless Steel Table

- 890mm Standing Height, 730mm Sitting Height
- Overall depth 610mm or 762mm.
- Table made of stainless steel legs, 16 gauge, type 304 Stainless Steel.
- Stainless steel work top and adjustable shelf included.

Part# (Standing HT)	Part# (Sitting HT)	Width (mm)	Depth (mm)
STA1030	STA2030	762	610
STA1036	STA2036	914	610
STA1048	STA2048	1219	610
STA1060	STA2060	1524	610
STA1072	STA2072	1829	610
STA1130	STA2130	762	762
STA1136	STA2136	914	762
STA1148	STA2148	1219	762
STA1160	STA2160	1524	762
STA1172	STA2172	1829	762



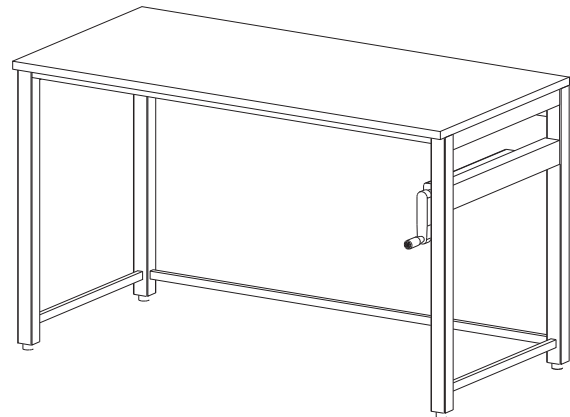
STA1030

Crank Operated Table

- Crank-operated height adjustability from 730mm to 890mm.
- 762mm Depth
- Worktop not included.

Part# (mm)	Width (mm)
ACC2136	914
ACC2148	1219
ACC2160	1524
ACC2172	1829

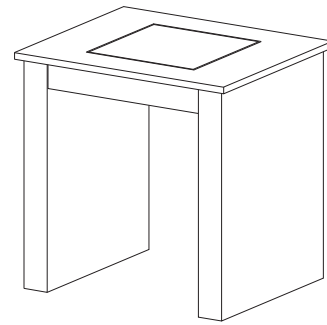
Refer to Worksurface section of catalogue for adding worktop.



ACC2148 WITH WORKTOP

Vibration Isolation Table

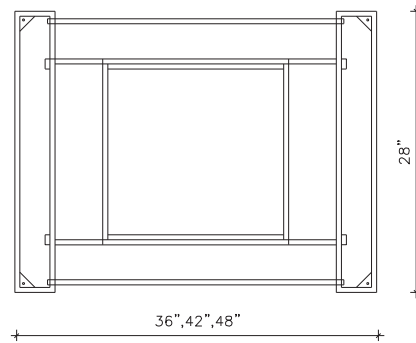
- 890mm Standing Height, 730mm Sitting Height
- 762mm Depth
- Vibration Isolation Table is designed to provide stable working conditions for devices that are sensitive to vibration and shocks.
- Table consists of outer table frame that supports work surface that is not isolated from vibration and an inner table frame that is entirely separate and supports the inner isolated work surface. This ensures vibrations are not transmitted to the isolated inner work surface.
- Isolated platform is consists of a steel tray that is to be filled with sand or concrete (not included).
- Platform is supported by four rubber shock absorbing isolators.
- Worktop not included.



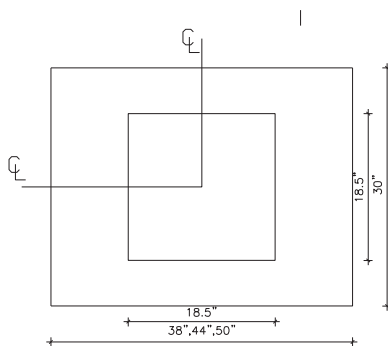
VIT1236

Part# (Standing HT)	Part# (Sitting HT)	Width (mm)
VIT1236	VIT2236	914
VIT1242	VIT2242	1067
VIT1248	VIT2248	1219
STA1150	STA2150	1524
STA1180	STA2180	1829

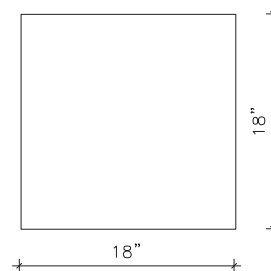
Refer to Worksurface section of catalogue for adding worktop.



TOP VIEW OF TABLE FRAME



TYPICAL NON-ISOLATED WORKSURFACE



TYPICAL INNER ISOLATED WORKSURFACE